

Features:

- ▣ three-phase controlled soft starter
- ▣ easy mounting, also for retrofitting into existing systems
- ▣ terminal arrangement suitable for switchgear connection
- ▣ integrated bypass contactor
- ▣ no mains neutral conductor (N) required
- ▣ functional peak current reduction
- ▣ monitoring of heat sink temperature
- ▣ monitoring of motor temperature via motor thermistor
- ▣ potential-free control inputs and outputs
- ▣ special voltages up to 690V
- ▣ robust metal enclosure
- ▣ degree of protection IP 20



Soft Starters
DAS-T 7.5 ... 55
CE

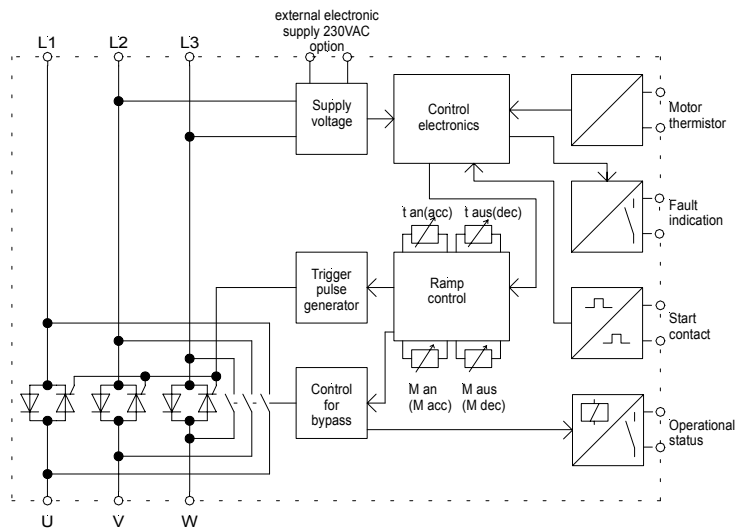
Function:

- ▣ soft start - soft stop
- ▣ acceleration/deceleration via control contact or control voltage 10 ... 42VDC (selectable)
- ▣ 4 separately adjustable parameters starting torque, acceleration time, soft stop torque, deceleration time
- ▣ potential-free output for operational status* 250VAC/8A
- ▣ fault signalling contact (250VAC/8A)
- ▣ input for motor thermistor
- ▣ for special voltages higher than 500V a external electronic supply (230VAC) is necessary.

* closed when power semiconductors are bridged, or closed from start of acceleration to end of deceleration

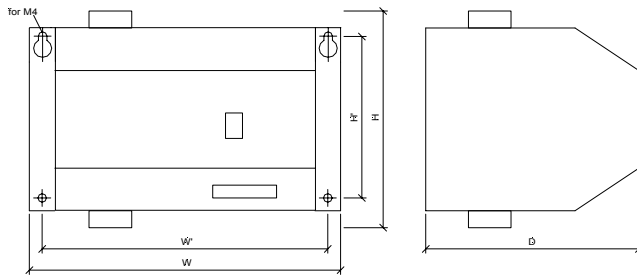
Typical Applications:

- pumps
- ventilators
- conveying machinery
- dryers, washing machines
- compressors
- cranes, trolleys



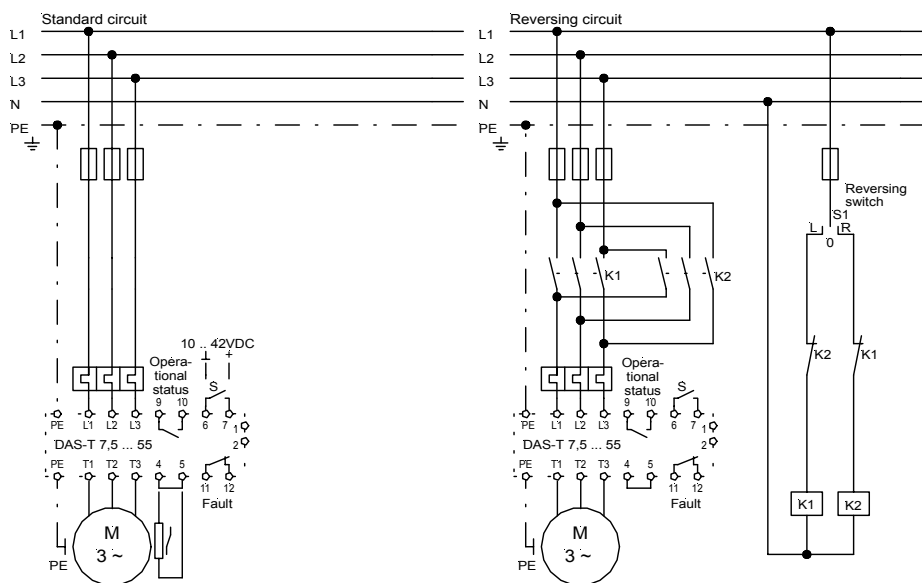
Technical Data	DAS-T							
	7,5	11	15	22	30	37	55	
Mains / Motor voltage (Standard)	400V ±15% 50/60Hz (up to 690V upon request)							
Device rated current	16A	25A	32A	48A	63A	75A	105A	
Motor rating	7,5kW	11kW	15kW	22kW	30kW	37kW	55kW	
min. Motor load	10% of the device power rating							
Starting torque	0 ... 80%							
Acceleration time	0,5 ... 25s							
Soft stop torque	20 ... 80%							
Deceleration time	0 ... 15s							
Reset time	200ms							
max. Switching cycle	100/h	100/h	80/h	60/h	60/h	40/h	20/h	
Cross-sectional area Control terminals of connecting cable Power terminals	1.5mm ²							
	16mm ²				35mm ²			
External semiconductor fuse „high-speed“	80A	100A	125A	160A	200A	250A	450A	
Ambient / Storage temperature	0°C ... 45°C / -25°C ... 75°C							
Weight	3,8kg	3,8kg	4kg	4kg	7,8kg	8kg	8,2kg	
Order number (Standard devices)	20900.	20900.	20900.	20900.	20900.	20900.	20900.	
	40007	40011	40015	40022	40030	40037	40055	

Dimensions:



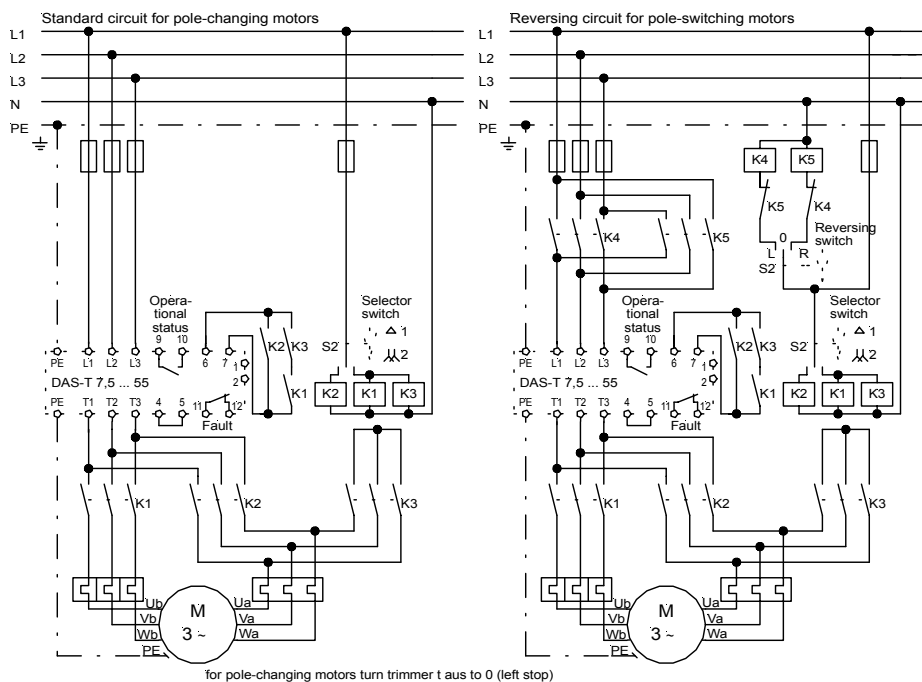
	W [mm]	W' [mm]	H [mm]	H' [mm]	D [mm]
DAS-T 7.5	235	218	245	170	140
DAS-T 11	235	218	245	170	140
DAS-T 15	235	218	245	170	140
DAS-T 22	235	218	245	170	140
DAS-T 30	335	318	245	170	170
DAS-T 37	335	318	245 <td 170	170	
DAS-T 55	335	318	245	170	170

Connection Diagrams:



S - closed = acceleration; S - open = deceleration

EMC
 The limit values for emitted interference according to the applicable device standards do not rule out the possibility that receivers and susceptible electronic devices within a radius of 10m are subjected to interference. If such interference, that is definitely attributable to the operation of the soft starters "DAS", occurs, the emitted interference can be reduced by taking appropriate measures. Such measures are, e.g.:
 To connect reactors (3mH) or a suitable mains filter in series before the soft starter, or to connect X-capacitors (0.15µF) in parallel to the supply voltage terminals.



for pole-changing motors turn trimmer t aus to 0 (left stop)