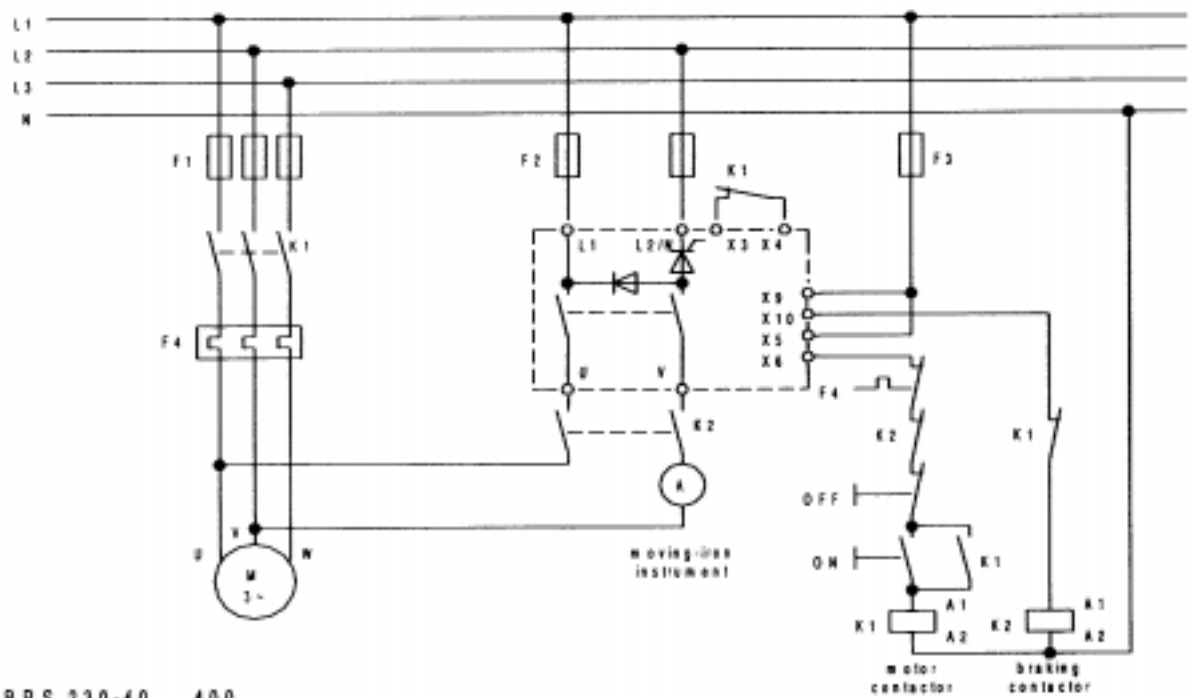


Commissioning Instructions BRS 230/400-10 ... 400

10. Connection diagramm

Attention:
 If, in spite of a long braking time, the braking current is instantly switched off, the braking current is adjusted to a too high value.

BRS 230-10 ... 20
 BRS 400-10 ... 20



BRS 230-40 ... 400
 BRS 400-40 ... 400

