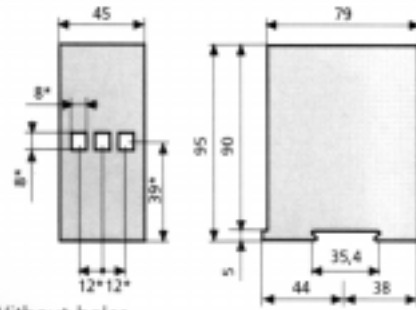


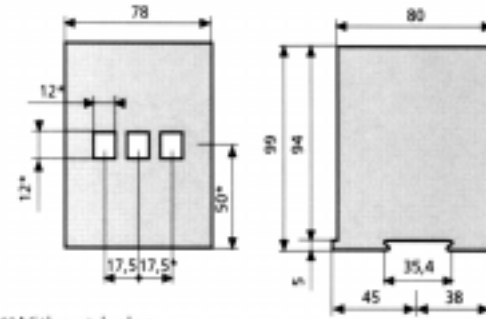
DIMENSIONI

C, AS
S*, H*, T*, U1*



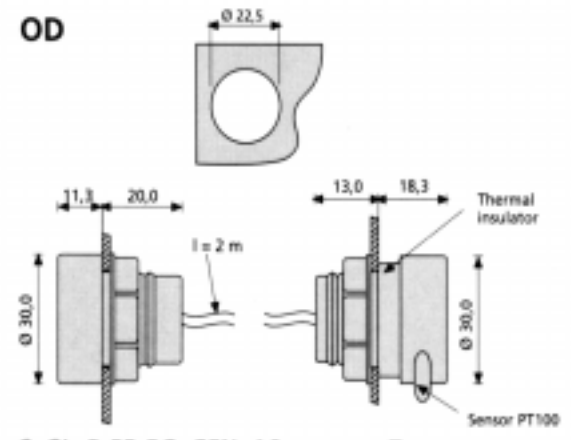
*Without holes

GL, P, PF, G, BG, GEN
ST*, U3*, U3S*, U3P*, U3N*



*Without holes

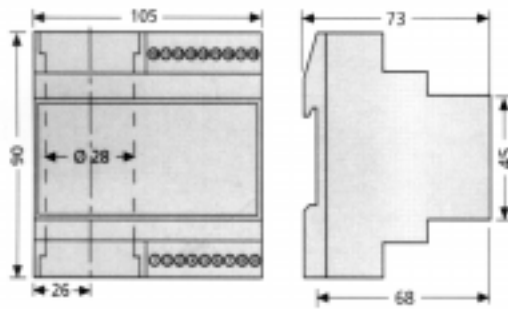
OD



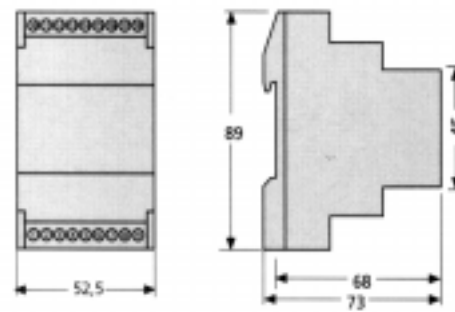
C, GL, P, PF, BG, GEN, AS

T

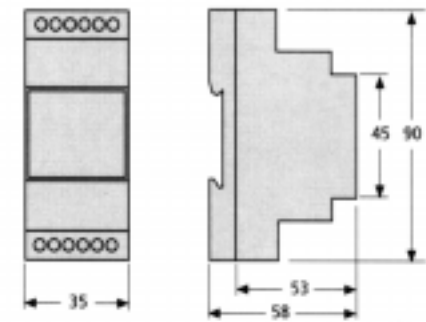
ELR-A



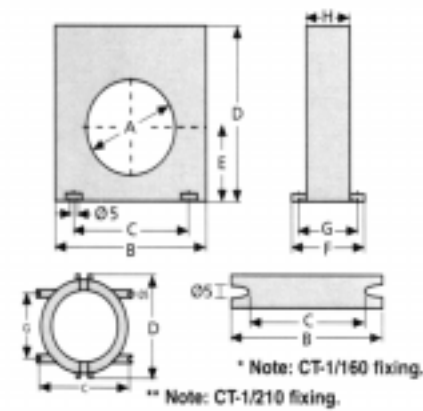
ELR-B, ELR-C



MTR-10

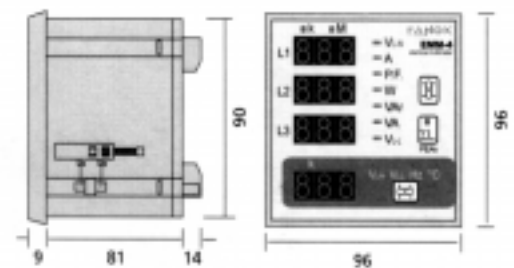


ELR-T, CT-1



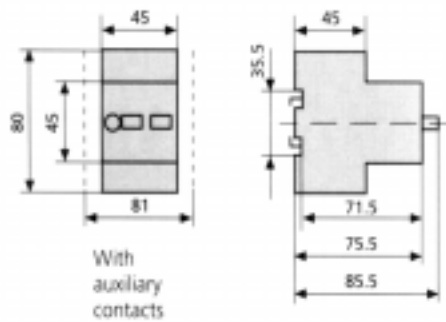
	A	B	C	D	E	F	G	H
ELR-T60	60	100	60	110	47	70	60	50
ELR-T110	110	150	110	160	70	70	60	50
CT-1/35	35	100	60	110	47	50	43	30
CT-1/60	60	100	60	110	47	50	43	30
CT-1/80	80	150	110	160	70	50	43	30
CT-1/110	110	150	110	160	70	50	43	30
CT-1/160	160	280*	260*	280	140	-	-	50
CT-1/210	210	-	280**	311**	-	-	240**	35

EMM



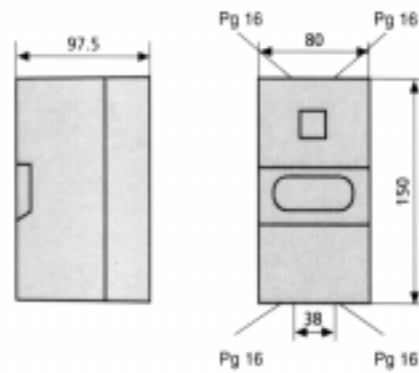
Panel cut out 92x92
Panel flush mounting according to DIN 43700

M

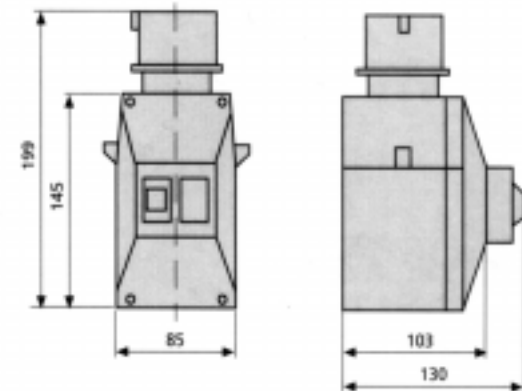


With auxiliary contacts

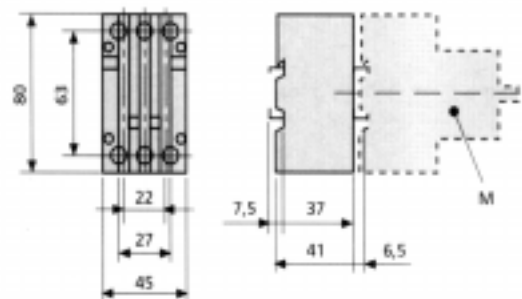
M-GE



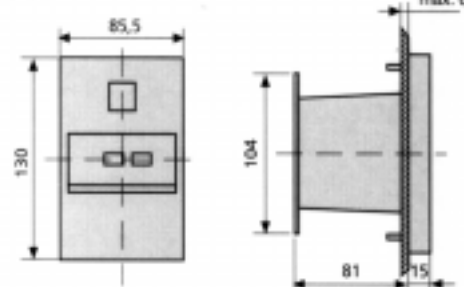
M-GC, M-GC1



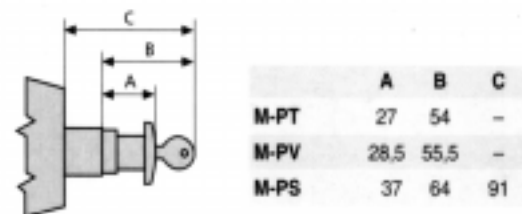
M-SB



M-FP



M-PT, M-PV, M-PS



	A	B	C
M-PT	27	54	-
M-PV	28,5	55,5	-
M-PS	37	64	91